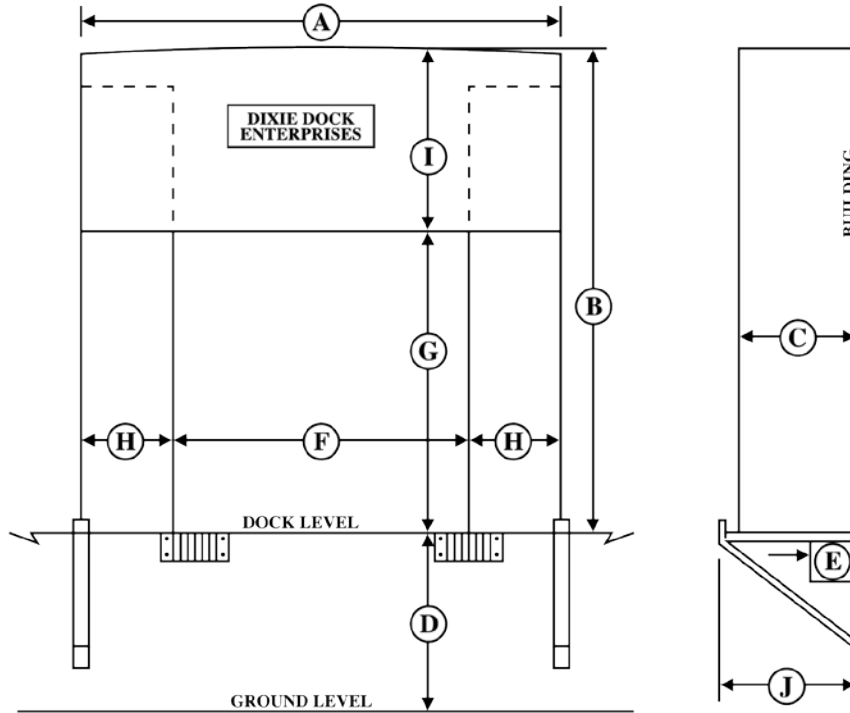


Dixie Dock Enterprises

Rigid Dock Shelter



Seal Quantity: _____ Model Number: _____ Job Name: _____

Specifications:

1. Side Frame: _____
2. Roof Frame: _____
3. Frame Covering: _____
4. Fabric: _____
5. Fabric Color: _____
6. Stay Material: _____
7. Stays/Side Curtain: _____
8. Stays/Head Curtain: _____
9. Steel Bumpers: _____
10. Draft Pad Dimensions: _____
11. Dock/Building is:
 - Recessed _____
 - Extended _____
 - Flush _____
 Measurement: _____
 Approach:
 - Level _____
 - Inclined/Declined _____
 Measurement: _____

Dimensions:

- A. Shelter Width: _____
- B. Shelter Height: _____
- C. Shelter Projection: _____
- D. Dock Height: _____
- E. Bumper Projection: _____
- F. Side Curtain ID: _____
- G. Curtain Height Above Dock: _____
- H. Side Curtain Width: _____
- I. Head Curtain Height: _____
- J. Steel Bumper Curtain: _____

Company: _____
 Address _____

 City _____
 State _____ Zip _____
 Phone: _____
 Date: _____